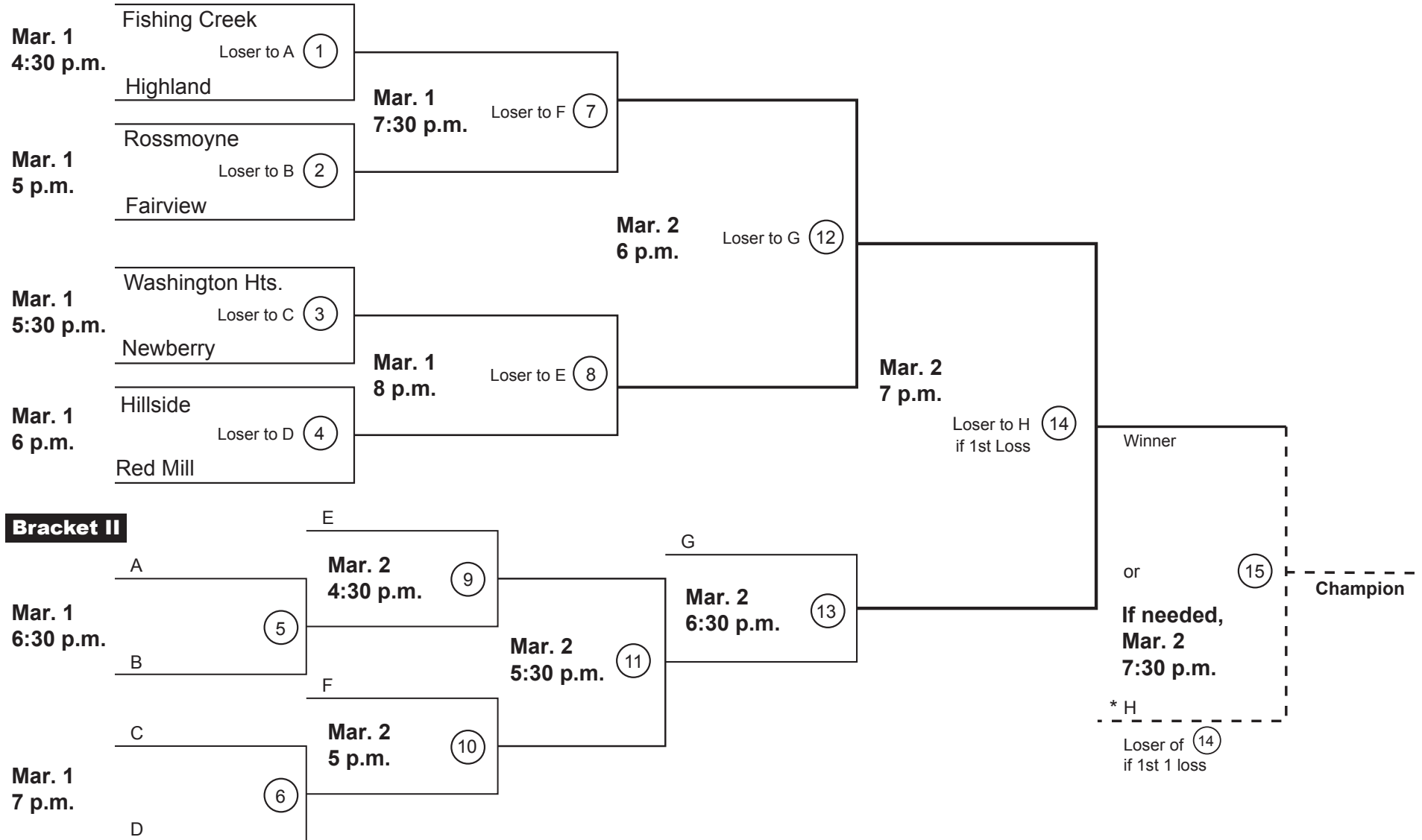


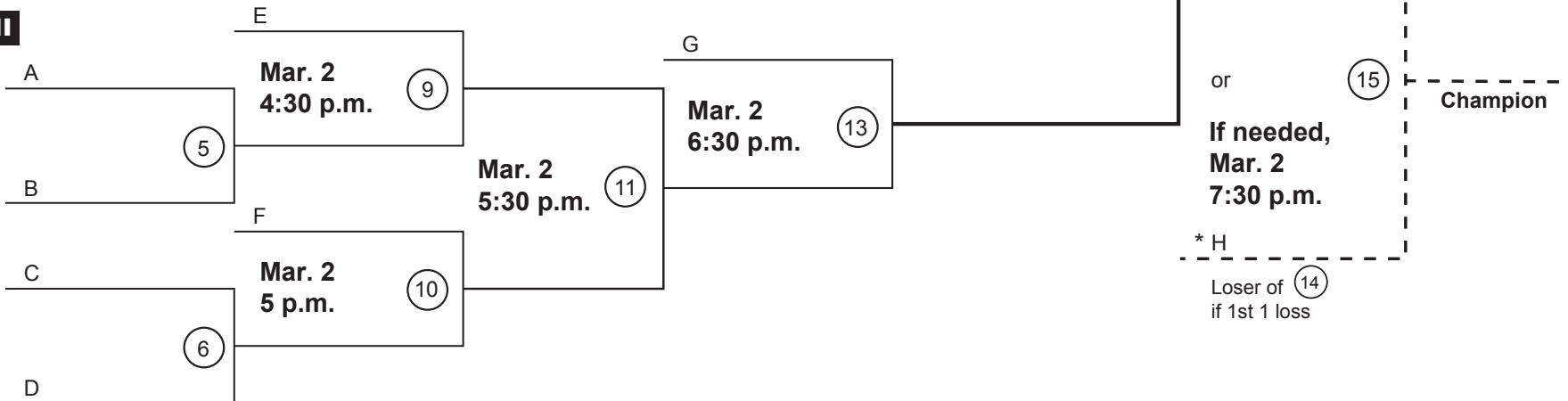
# WEST SHORE FOUNDATION • 2020 ACADEMIC BOWL

## 4th Grade • 8 Team Double Elimination Bracket

### Bracket I



### Bracket II

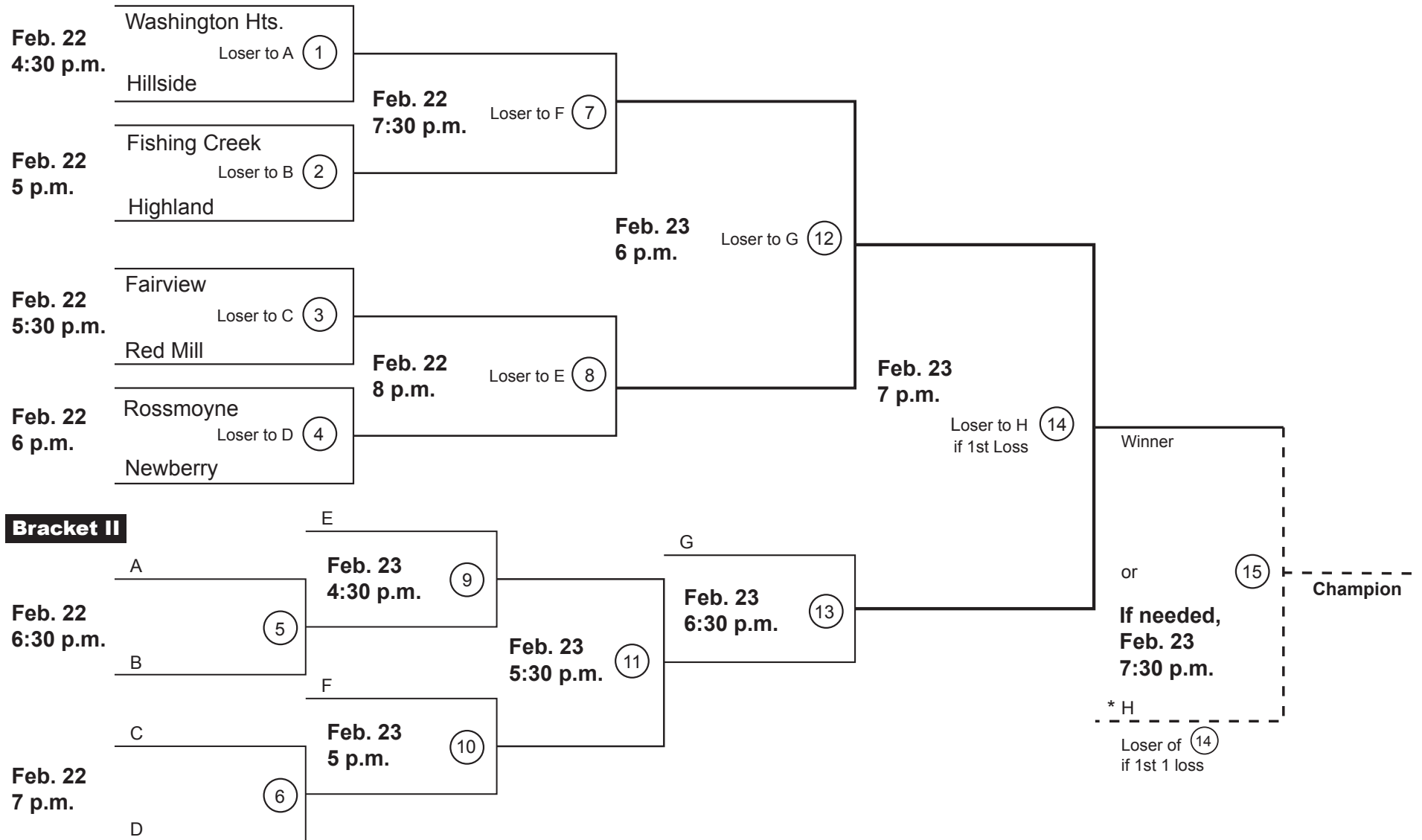


\* See page 3 of the Academic Bowl Guidelines for rules regarding Double Elimination.

# WEST SHORE FOUNDATION • 2020 ACADEMIC BOWL

## 5th Grade • 8 Team Double Elimination Bracket

### Bracket I

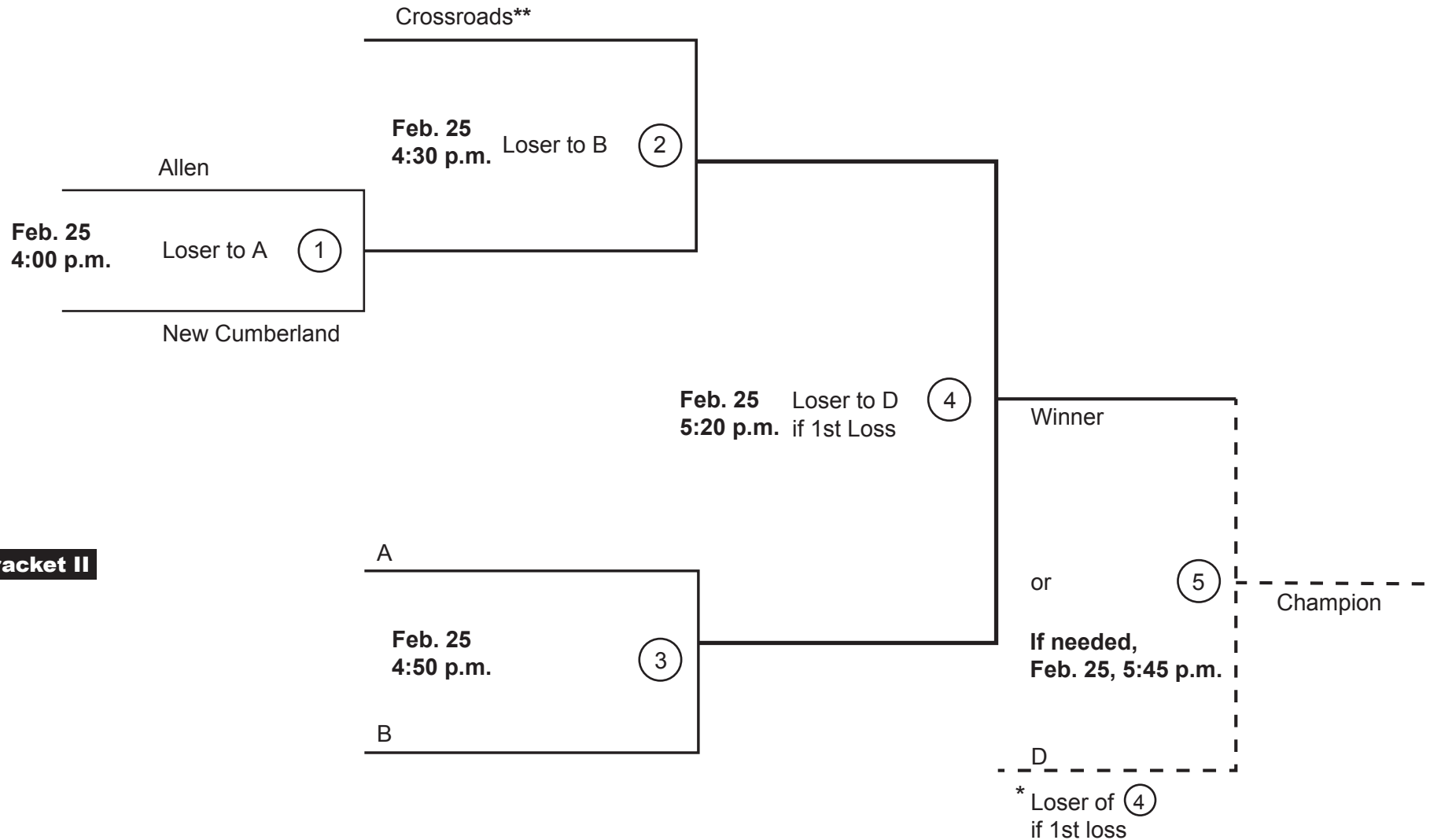


\* See page 3 of the Academic Bowl Guidelines for rules regarding Double Elimination.

# WEST SHORE FOUNDATION • &\$21 ACADEMIC BOWL

## 6th Grade • 3 Team Double Elimination Bracket

### Bracket I



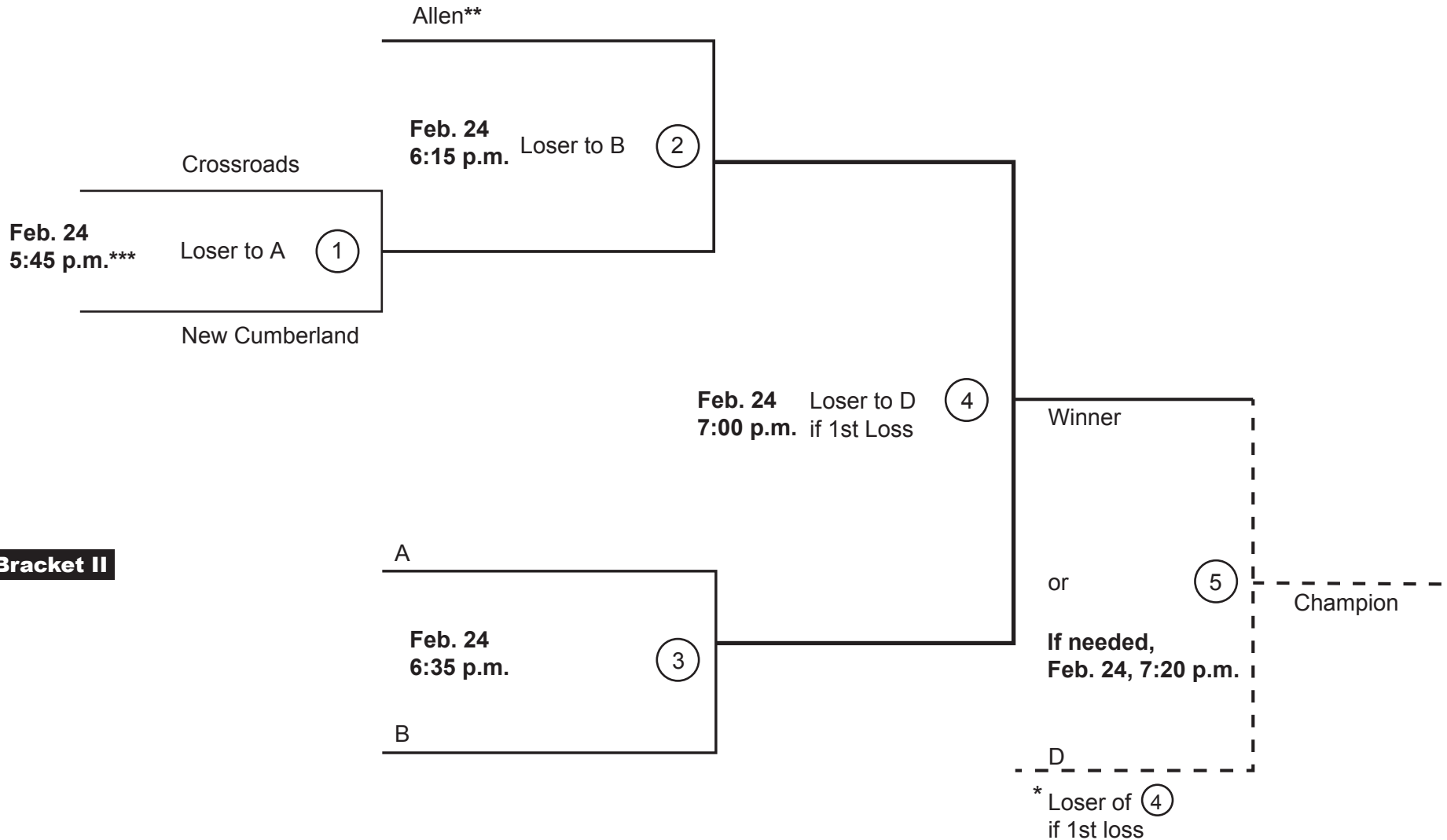
\* See page 3 of the Academic Bowl Guidelines for rules regarding Double Elimination.

\*\* In cases where the number of teams at the start of the tournament is not divisible by two, one team will receive a bye in the first round entitling them to advance to the second round automatically without playing.

# WEST SHORE FOUNDATION • &\$21 ACADEMIC BOWL

## 7th Grade • 3 Team Double Elimination Bracket

### Bracket I



\* See page 3 of the Academic Bowl Guidelines for rules regarding Double Elimination.

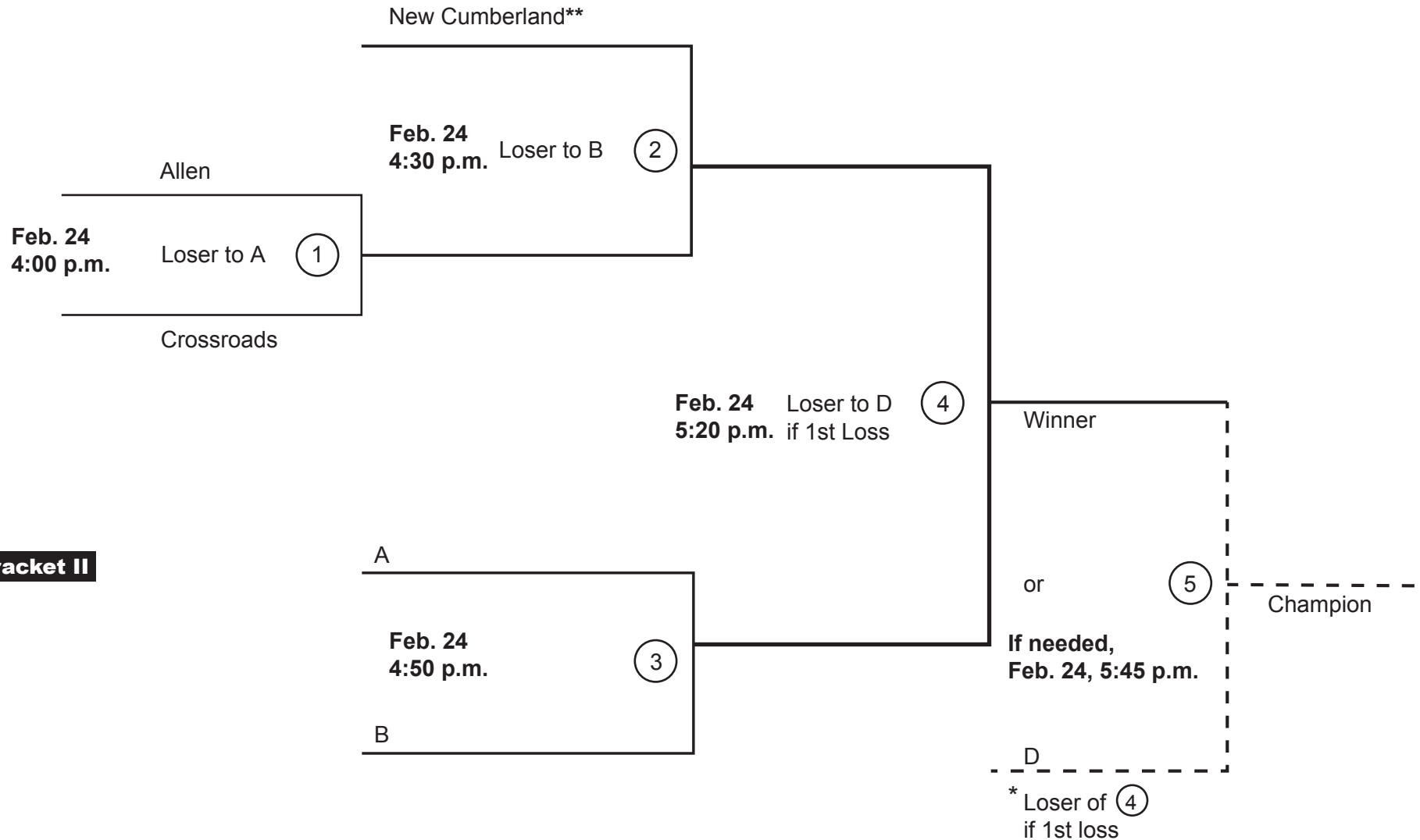
\*\* In cases where the number of teams at the start of the tournament is not divisible by two, one team will receive a bye in the first round entitling them to advance to the second round automatically without playing.

\*\*\* This time is tentative and may be adjusted if the eighth grade tournament does not finish by 5:45 p.m.

# WEST SHORE FOUNDATION • &\$21 ACADEMIC BOWL

## 8th Grade • 3 Team Double Elimination Bracket

### Bracket I



\* See page 3 of the Academic Bowl Guidelines for rules regarding Double Elimination.

\*\* In cases where the number of teams at the start of the tournament is not divisible by two, one team will receive a bye in the first round entitling them to advance to the second round automatically without playing.